

MANIHOE

MLB 625 T



**THE
RENTAL
DEPOT**

**PROFESSIONAL TOOLS *for*
PROFESSIONAL PEOPLE**

HIRE HOTLINE: 9672 3958

Servicing all across Sydney, Wollongong & Newcastle

Reach where others stop...



**PROFESSIONAL TOOLS *for*
PROFESSIONAL PEOPLE**

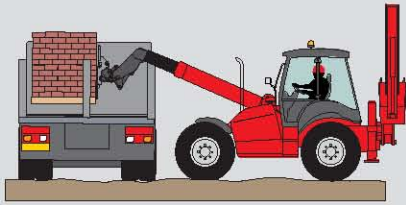
**HIRE
HOTLINE
9672 3958**

The telescopic arm of the MANIHOE enables a 5 m lift height and 3 m forward reach. These two features offer an **ease of work and productivity** second to none.

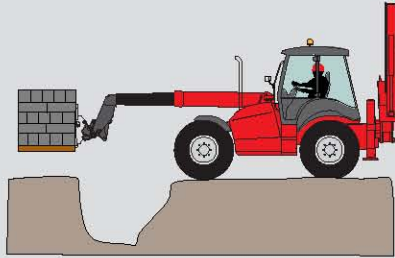
Productivity

Return on investment

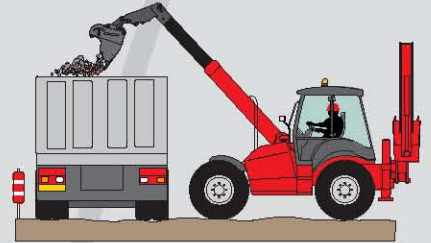
Loading / unloading pallets



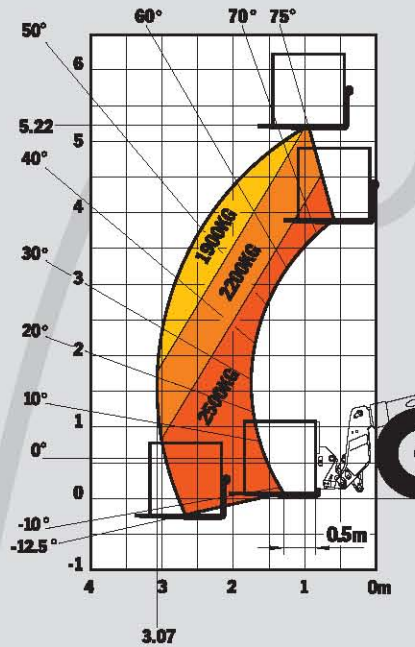
Reaching over trenches



Loading trucks



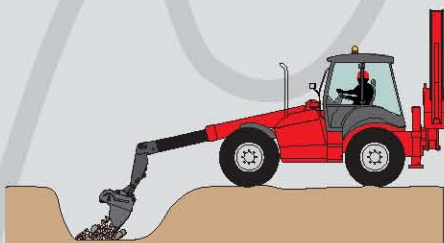
Reaching over obstacles



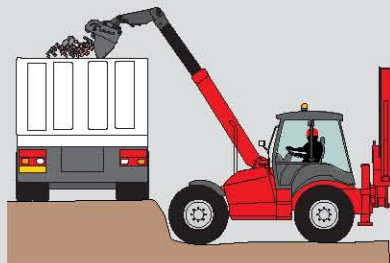
Ponds digging



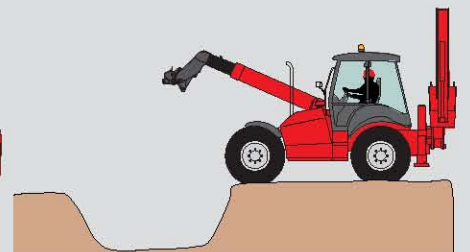
Trench backfilling



Stone clearing/grading



Other applications...



Ease of work

Versatility in a few seconds...



Available @
Sydney's Leading
Hire Company



PROFESSIONAL TOOLS *for*
PROFESSIONAL PEOPLE

PHONE
9672 3958

The **MANIHOE** is fitted with an **attachment quick coupling carriage** whose strength and reliability have already been proven on more than 100,000 MANITOU machines.

Forks, buckets and many other attachments can be fitted in few seconds, hence enabling you to work with a **specifically designed attachment for each task**.

5 seconds



Removing 4x1 bucket

25 seconds



Hooking on the forks

45 seconds



Locking the attachment

A perfect visibility on your attachment

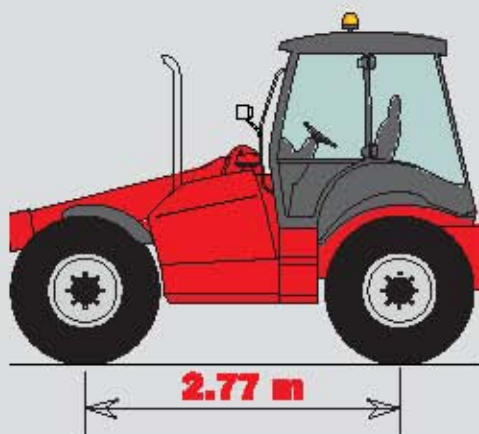
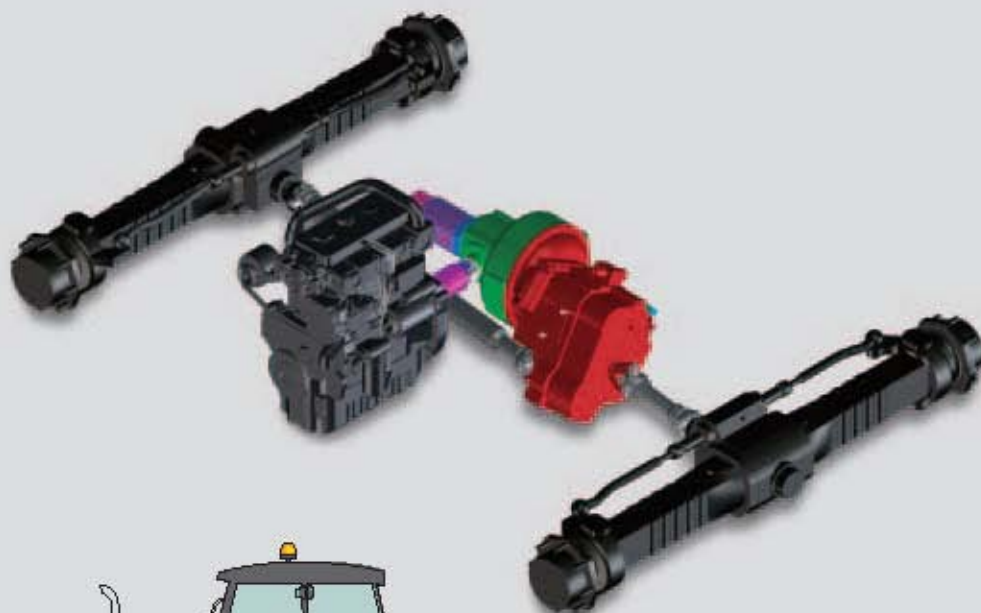


Heavy duty dynamic performances...

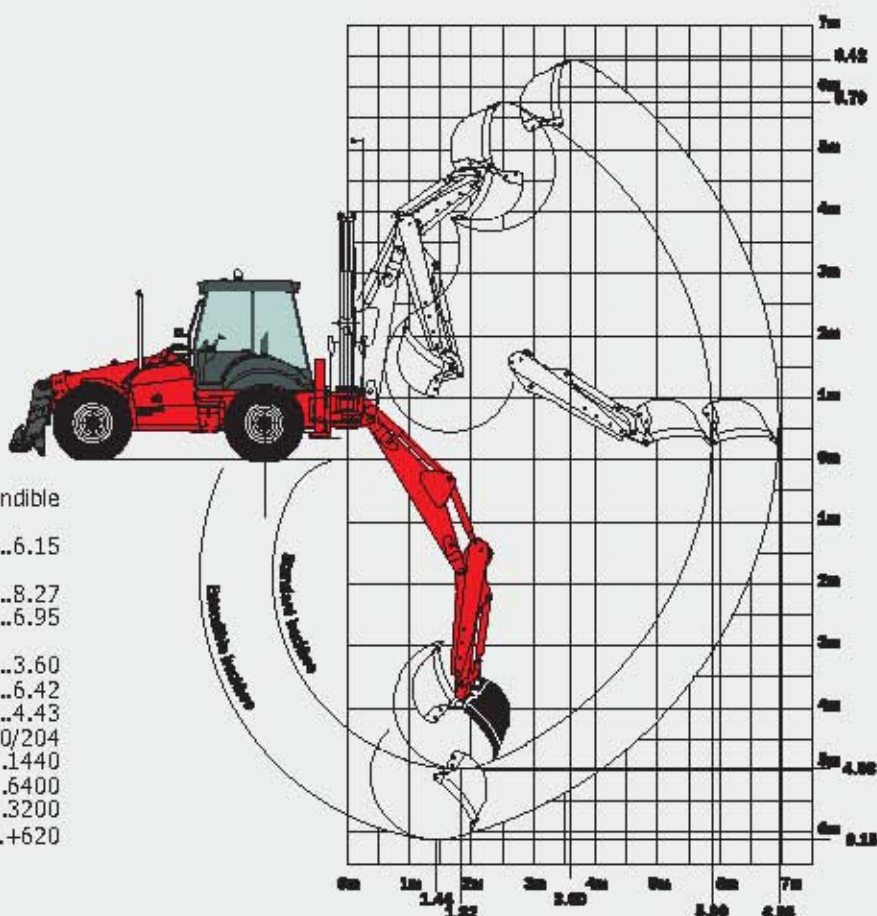


Stone clearing, earthmoving and all heavy duty applications have been taken into account in the design of the MANIHOE.

Engine, gear box and axles offer an optimum output with a **drawbar pull of 8200 daN**.



The 2770 mm wheel base enables a perfect longitudinal stability with a better contact of the 4 wheels with the ground. This results in a **perfect traction** on uneven grounds and a major **decrease of floating** at high speed.



Backhoe type.....standardextendible

Max. Digging depth (m).....4.986.15

Max. reach (m)

from rear axle (m).....7.198.27

from slew centre (m).....5.906.95

Reach at maximum height

from slew centre (m).....2.503.60

Maxi working height (m).....5.796.42

Loading height (m).....3.804.43

Attachment rotation (°).....160/204.....160/204

Lifting capacity (kg).....2100.....1440

Tear out force with bucket (daN)6400.....6400

Tear out force with dipper (daN).....4620.....3200

Side shift (from the axle)+ 620+620

Bucket specifications

Width.....from 300 to 1500 mm

Spacious operator environment



Because comfort leads to more productivity, the MANIHOE cabin offers space and ergonomics. All windows can be opened to ensure ventilation within all the cabin environment.



Keeping servicing time down to increase availability


Side mounted engine, radiator and tanks procure an easy access to all servicing points. The choice of world wide famous components for their longevity and reliability is a guaranty for minimal downtime and full concentration on your activity.




MLB 625 T

 **Lifting capacity**2500 kg


 **Lifting height**5.22 m

 **Engine**
 Model.....Perkins Turbo 1104C44 T
 Power(ISO TR14396)
100 CV/74.5 kW à 2200 tr/mn
 Torque: (ISO TR14396) ...412 Nm à 1400 tr/mn
 Cooling.....water

 **Transmission**
 Type.....Torque converter
 Gears Fwd/Rev4/4
 Fwd/Rev selector.....Electro-hydraulic
 Travelling speed.....25 km/h
 Limited slip differential on both axles

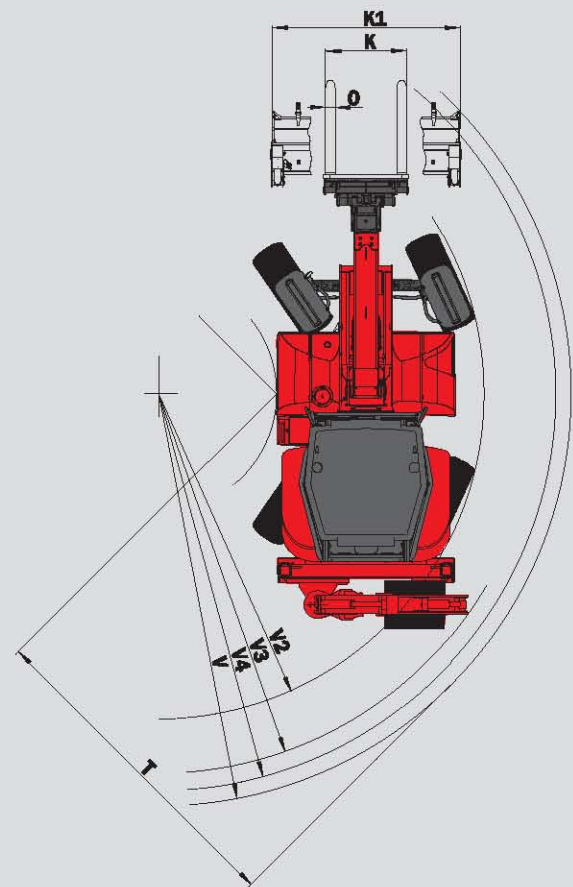
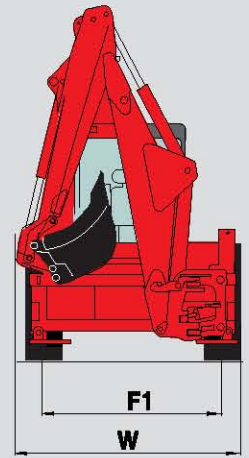
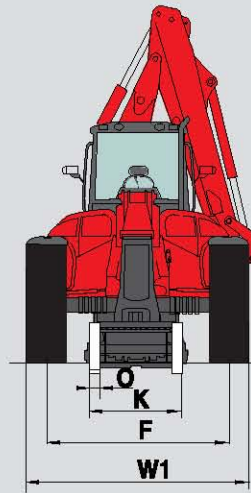
 **Brakes**
 Type...Oil immersed multidisc brakes on both axles

 **Tyres**
 Type.....440/70 R 24

 **Hydraulic**
 Number of pumps2
 Typegear
 Flow.....184 l/mn
 Pressure270 Bars
 Flow divider with priority to brakes and steering

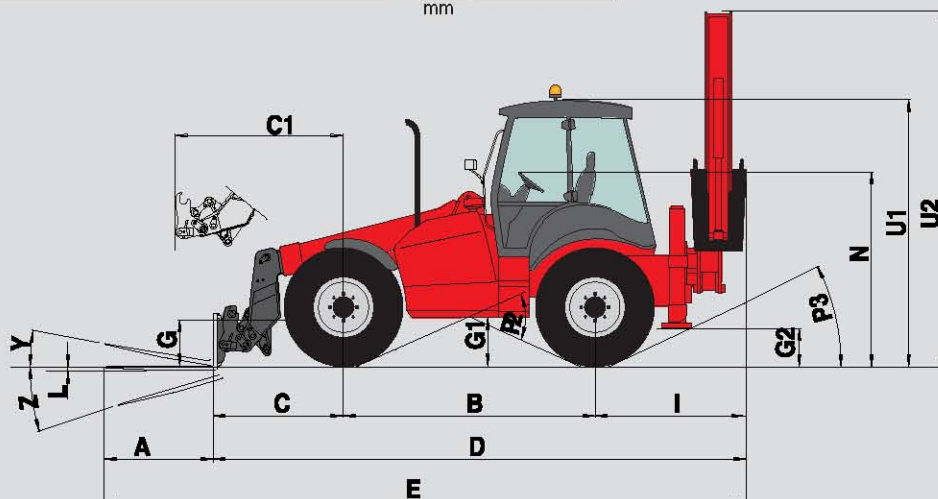
 **Operating weight**
 Operating weight with forks.....8860 kg

 **Capacities**
 Cooling circuit.....21 l.
 Engine oil8.5 l.
 Diesel.....138.5 l.
 Hydraulic oil.....134 l.



MLB 625 T	
A	1200
B	2770
C	1416
C1	1350
D	5753
E	6953
F	1920
F1	1920
G	475
G1	430
G2	445
I	1567
K	1040
K1	2450
L	40
N	2105 a 2145
O	125
P2	42°
P3	21°
T	4224
U1	2915
U2	3965
V	5300
V2	4111
V3	4875
V4	5100
W	2493
W1	2372
Y	10°
Z	151°

mm





PROFESSIONAL TOOLS *for*
PROFESSIONAL PEOPLE



3 Penny Place
Blacktown NSW 2148

Phone: 9672 3958
Fax: 9678 9689

www.RentalDepot.com.au

Servicing
SYDNEY | WOLLONGONG | NEWCASTLE